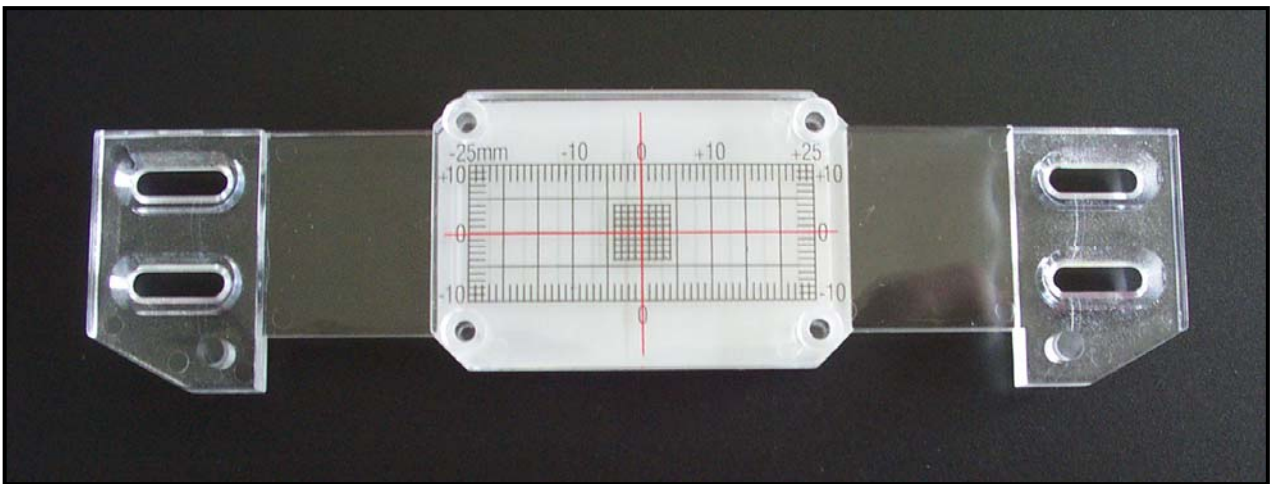


The Geotechnical Systems Australia Pty Ltd [Tell-Tales](#) consists of two plates that overlap for part of their length. One plate is calibrated in millimetres and the overlapping plate is transparent and marked with a hairline cursor.

As the crack width opens or closes, one plate moves relative to the other. The relationship of the cursor to the scale represents the amount of movement occurring.

Various configurations are available to allow measurement of cracks in all directions.

Range $\pm 25\text{mm}$ Resolution 1 mm.

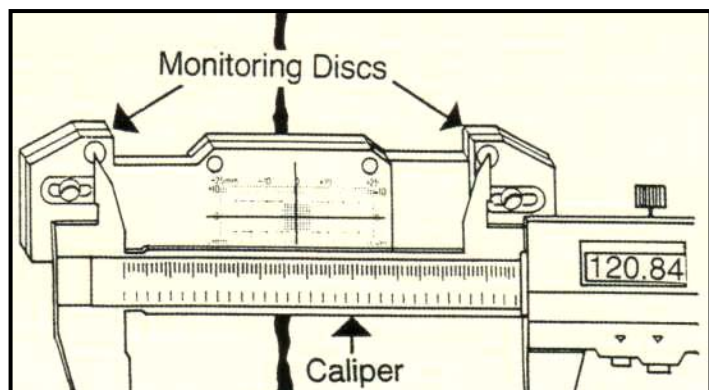
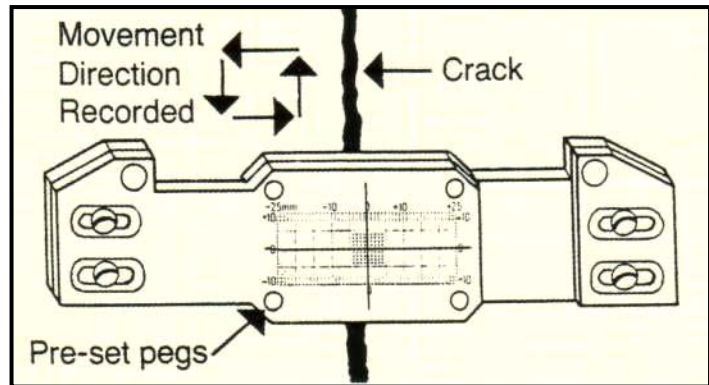


4370-05 TELL-TALE PLUS

- Weather resistant design
- Monitors the opening or closing of crack to an accuracy of 1.0mm, or to an accuracy of $\pm 0.1\text{mm}$ with calipers
- Capable of monitoring vertical as well as horizontal movement
- Crack record cards supplied with each Tell-Tale simplifies monitoring
- Increased horizontal monitoring range to $\pm 25\text{mm}$
- Manufactured in vandal resistant polycarbonate
- Fixing slots and "extra grip" surface improves screw and adhesive fixings

4370-06 TELL-TALE PLUS CALIPER

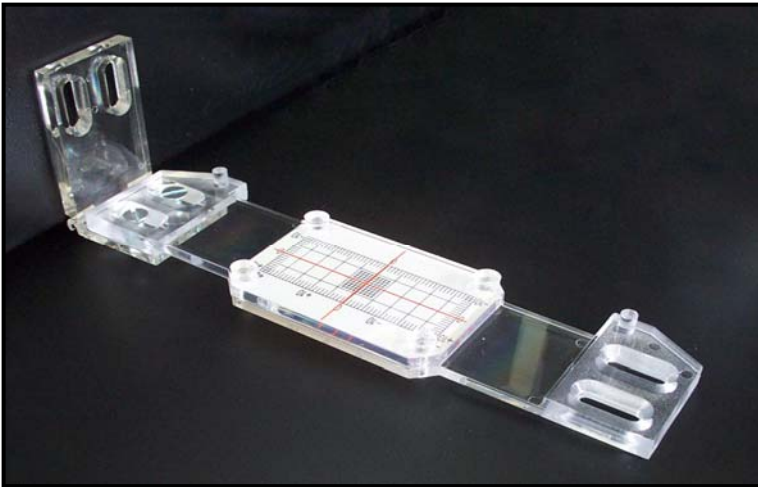
- Vernier or Digital Calipers can be used to measure the distance between the centres of the monitoring discs.



Tell-Tale Plus Crack Monitors

4370-07 CORNER TELL-TALE PLUS

The Corner Tell-Tale Plus crack monitoring gauge monitors cracks in internal or external corners. The gauge is hinged and so it will fit into or around corners that are between angles of 70 to 180 degrees. It can be used singly to monitor two-dimensional movement (*below*) or in pairs to monitor three-dimensional movement (*right*). The Corner Tell-Tale Plus pack consists of two Model 4370-05 Tell-Tale Plus Crack Monitors and two hinge adapters.



4370-08 DISPLACEMENT TELL-TALE PLUS

A Displacement Tell-Tale Plus crack monitoring gauge monitors displacement and horizontal movement where there is a 'step' across a crack due to displacement or 'out of plane' movement (*right*).

- Displacement monitoring range to 100mm
- Horizontal monitoring range of -10mm to +50mm
- Calibrated in millimetres

The Tell-Tale consists of three components. A graduated ruler, a top plate and a bottom plate.

Note: The graduated ruler is not left in position. It is only used for taking readings. When not in use it can be kept with the record sheet. This avoids projections, which are liable to be damaged during the monitoring period.

